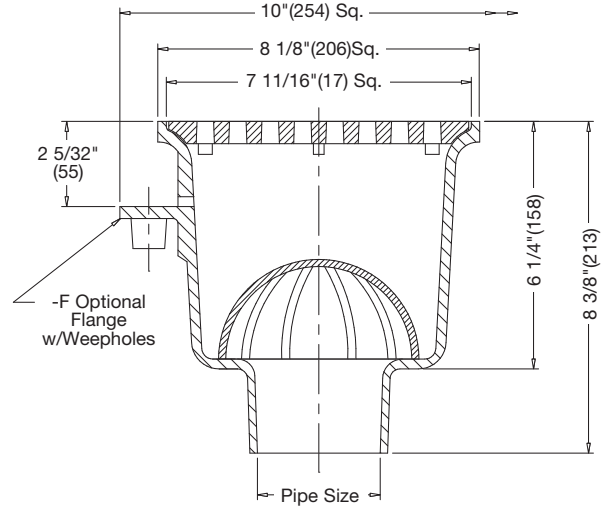


Sanitary Floor Sinks

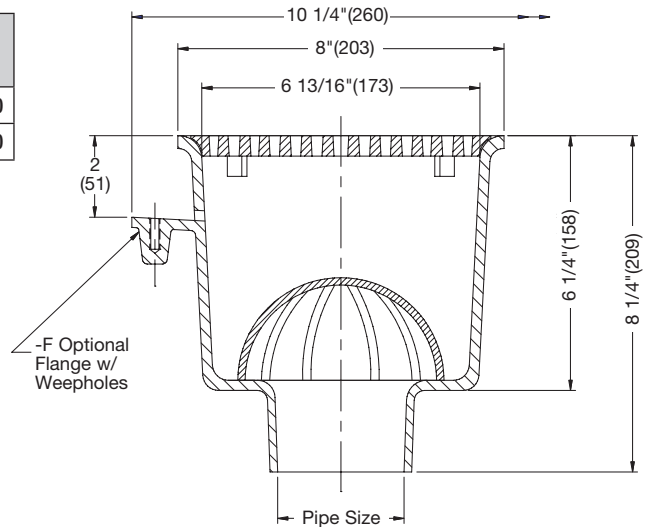
FS-710 8" Square x 6" Deep Sanitary Floor Sink

Model Number	Weight (lbs.)	Top Size	Outlet Size	Top	List Price
FS-712, 3, 4	20	8" Sq.	2,3,4"	porcelain	\$1,573.00
FS-712, 3, 4-1	20	8" Sq.	2,3,4"	nickel bronze	2,003.50



FS-720 8" Round x 6" Deep Sanitary Floor Sink

Model Number	Weight (lbs.)	Top Size	Outlet Size	Top	List Price
FS-722, 3, 4	16	8" Round	2,3,4"	porcelain	\$1,442.00
FS-722, 3, 4-1	16	8" Round	2,3,4"	nickel bronze	1,874.00



Options for FS-710/720 Series

Suffix	Description	List Price	Suffix	Description	List Price
None	No Hub	No Add	-21	Secondary Strainer	\$67.50
P	Push-On Outlet	No Add	-33	Less Grate	-259.00
X	Inside Caulk Outlet	No Add	-150	1/2 Grate	No Add
-F	Flange w/Weepholes	\$185.00	-175	3/4 Grate	No Add
-FC	Flange w/Weepholes & Flashing Clamp	371.00	-F4-1	4" Round Nickel Bronze Funnel	428.00
-3	Stainless Steel (Rim & Grate) (FS-710 Only)	590.00	-F6-1	6" Round Nickel Bronze Funnel	625.00
-5	Sediment Bucket	222.00	-G-1	4x9" Oval Nickel Bronze Funnel	872.00
-6	Vandal Proof (-1,-3 Only)	76.00			
-7	Trap Primer Tapping	191.50			
-9	Hinged Grate (FS-710-1, -3 Only)	351.00			

Consult factory for all applications outside of listed parameters.

Prices do not include applicable taxes.

